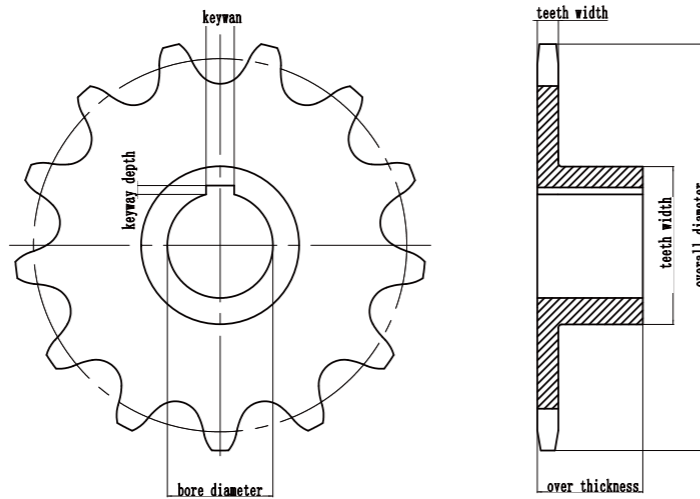


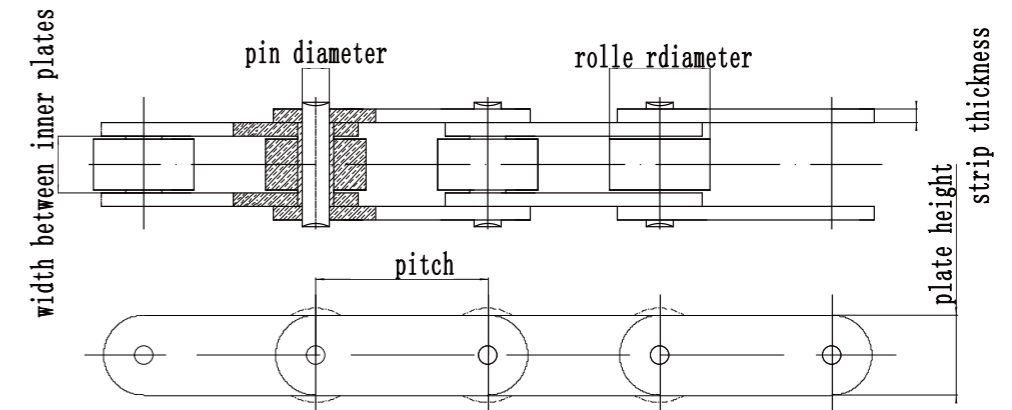
SPROCKET & FRYING PAN



PRODUCT IMAGE



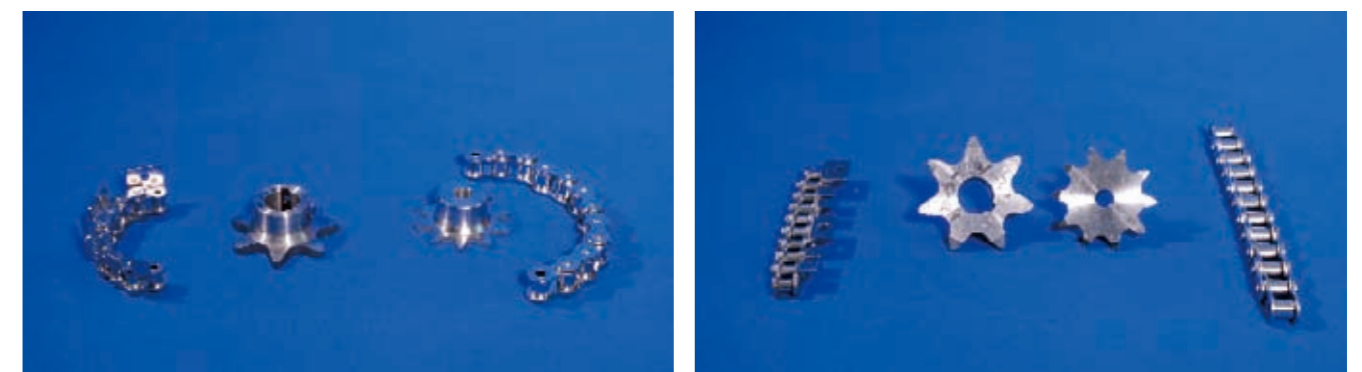
CHAIN



PRODUCT PARAMETERS

Model No	Tooth	Outside Dia	Pitch Dia	Tube Dia	Bore Dia	Thickness
C2042	8	77.9	66.37	42	16	35
C2052	8	96	85.96	53	20	40
C2062	8	113	99.55	58	20	45
C2082	8	152	132.74	85	30	80

PRODUCT IMAGE



Special specifications available are available